

Laminate flooring

Installation
& maintenance
instructions

**UNIFIT®
locking system**

- Essentials 832
- Woodstock 832
- Lamin'Art 832
- Long Boards 1032
- Welcome 833
- Soundlogic

1. OBLIGATORY TESTING AND EXERCISE OF DUE CARE

Tarkett laminate flooring is manufactured using the latest technology. Stringent quality control checks are carried out regularly both during and at the end of the manufacturing process. There may be occasions, however, when damage to individual boards may occur. It is important therefore, to visually check each flooring board before and during installation. Damaged flooring boards or those that vary from the norm should not be installed but returned to be replaced.

2. SUB-FLOORS

2.1 - Sub-floor check

All sub-floors must be prepared for installation in accordance with regular sub-floor preparation procedures and accepted tolerances within the flooring industry. When assessing whether Tarkett laminate flooring is ready to install, attention should be paid, in particular, to the points below. In the case of failure to comply, all guarantee and warranty claims will become void.

Check the moisture level in the sub-floor.

Use a CM device to make sure the following levels are not exceeded:

- For cement-based screed ≤ 2 CM % – heated screed ≤ 1.8 CM %
- For calcium sulphate screeds / calcium sulphate floating screeds ≤ 0.5 CM % – heated screeds ≤ 0.3 CM %

These values apply to screeds without additives. With the use of additives and in case of fast-setting screed, the measurements and limits specified by the respective manufacturer shall apply. The test material must be obtained from the lower one-third of the screed. During this process, the thickness of the screed must be measured and documented.

Check if the sub-floor is level:

The evenness test is based on common standards and takes place by placing a yardstick / straight-edge on the high points of the surface and determining the gauge at the deepest location in relation to the bearing surfaces (measuring point intervals). Use a max. 2 mm gauge (vertical deviation) at 100 cm intervals. Larger deviations should be addressed by suitable measures (e.g. with self-levelling compounds).

Check the load-bearing capacity of the sub-floor.

The sub-floor must be a sealed, self-supporting layer.

Check if the sub-floor is clean:

The sub-floor must be vacuum cleaned.

Check atmospheric conditions:

The following conditions should be met before, during and after installation:

- An air temperature of at least 18° C
- A floor surface temperature of at least 15° C
- A relative air humidity of between 40 % and 70 %.

2.2 - Instructions per type of sub-floor

All sub-floors, which are deemed to be ready for installation and meet the requirements previously listed, are suitable for installing Tarkett laminate flooring as a floating installation. This includes:

- All types of screed including hot water-heated screed
- Chipboard constructions
- Fibreboards
- Existing floor coatings such as PVC, linoleum, natural stone slabs and ceramic tiles.

A. UNSUITABLE SUB-FLOORS

Tarkett laminate flooring must never be installed on textile floor coverings (e.g. carpet) or sub-floors that are not ready for installation. In the case of failure to comply, all guarantee and warranty claims will become void.

B. SCREED PREPARATION

Tarkett laminate flooring as a floating installation on screeds, it should be noted that rising damp must be expected. Consequently, all types of screed (with the exception of mastic asphalt) require, prior to the installation of a system specific insulating layer (see section: Attention! Underlay materials), a moisture protection film, SD value ≥ 75 m, to be installed over the whole area in a trough shape as a moisture barrier. When professionally installed, the strips of the moisture protection film must overlap by 5 - 20 cm at the joints depending on the version.

C. UNDERFLOOR HEATING WITH HOT WATER-HEATED SCREED

Screeds with hot water floor heating:

- When preparing a heated flooring design, all those involved (builder, architect, specialist heating planner, heating engineer, installer, floor covering manufacturer) must work together in a coordinated manner.
- All surface-heated flooring requires appropriate planning and coordination of the heating system and screed in order to ensure maximum long-term performance without causing any damage.
- Alongside the usual checks on the installation sub-floor, the underfloor heating / cooling function must be checked (functional heating / cooling). This evidence of the screed construction being properly heated up and cooled down must be provided each season and be documented.

When heating the load and heat distribution layer, a distinction is made between functional heating and floor curing heating.

- Functional heating is the heating engineer's evidence of preparing a job free of defects and is used to review the proper functioning of the heating floor structure.
- Floor curing heating is the expelling of the residual moisture in the screed until installation suitability is reached.

Attention! Functional heating does not guarantee that the screed has reached the residual moisture required for installation suitability. Accordingly, floor curing heating is necessary as a rule.

Attention! The surface temperature of a heated floor structure may not exceed 28° C (83° F). Tarkett laminate flooring is generally laid as a "floating" installation. On mineral sub-floors it is essential to install a moisture protection film, SD value ≥ 75 m, over the whole area in a trough shape as a moisture barrier before the insulating underlay. When installing laminate flooring as a floating installation, attention should be paid to the heat conductivity values of the laminate flooring and the insulating underlay. The total of the heat conductivity values for all components must be ≤ 0.15 m²K/W according to the CE requirement. When using insulating underlays that are not from the Tarkett range of accessories, any guarantee is rejected with regards to compliance with the effective maximum permitted heat conductivity of the overall structure for a floating installation on heated screeds. When installing Tarkett Soundlogic Laminate flooring (with acoustic underlay laminated to the back), no other insulating underlay must be installed.

D. ELECTRICALLY OPERATED UNDERFLOOR HEATING (CONTROLLING THE SURFACE TEMPERATURE).

Electrical underfloor heating systems are classified as sub-floors with limited suitability. This is because a range of film-based, electrical heating systems are able to generate surface temperatures that significantly exceed 28° C. Tarkett approves the use of an electrically operated underfloor heating system if it can be controlled digitally and the surface temperature can never exceed 28° C. The technical approval must have been granted by the manufacturer of the heating system for Tarkett Laminate flooring.

E. NATURAL STONE AND CERAMIC TILES

Possible residual moisture in the sub-floor may rise to the surface and consequently, before installing the system-specific insulating underlay (see section: **Attention!** Underlay materials), a moisture protection film, SD value ≥ 75 m, must be installed over the whole area in a trough shape as a moisture barrier. When installing Tarkett Soundlogic laminate flooring (with acoustic underlay laminated to the back), no other insulating underlay must be installed.

F. WOODCHIP AND FIBREBOARD

To improve impact sound, before installing laminate flooring a system-specific insulating underlay (see section: **Attention!** Underlay materials) should be installed. A moisture protection film (vapour barrier) should not be fitted. ~~Tarkett Laminate~~ Tarkett Soundlogic laminate flooring (with acoustic underlay laminated to the back) can be directly installed on wooden boards.

G. WOODEN BOARDS

Any loose boards should be properly screwed down. To improve impact sound, before installing laminate flooring a system-specific insulating underlay (see section: **Attention!** Underlay materials) should be installed. A moisture protection film (vapour barrier) should not be fitted. Tarkett Soundlogic laminate flooring (with acoustic underlay laminated to the back), can be directly installed on floorboards. Please note that the laminate flooring ~~are~~ installed at right angles to the floorboards.

H. ELASTIC FLOORING SURFACES (PVC, LINOLEUM, VINYL)

The use of flexible floor coverings meets the damp-proofing requirements and thus eradicates the need for a moisture protection film. To improve impact sound, before installing laminate flooring, a system-specific insulating underlay should be installed. Tarkett Soundlogic laminate flooring (with acoustic underlay laminated to the back) can be directly installed on the elastic flooring. (see section: **Attention!** Underlay materials).

I. WET ROOMS / WET AREAS

Attention! Tarkett laminate flooring may not be installed in wet and damp rooms such as bathrooms, saunas or similar spaces. In the case of failure to comply, all guarantee and warranty claims will become void.

2.3 - Attention! Underlay materials

- On mineral sub-floors, a moisture protection film, SD value ≥ 75 m, must be installed over the whole area in a trough shape. The exception to this is when using TARKOFLEX II (2 in 1 insulating underlay with integrated moisture protection) or a comparable 2 in 1 underlay. In these cases, a separate moisture protection film is not necessary.
- A system-specific TARKOFOAM II or TARKOFLEX II underlay must be used under Tarkett laminate flooring.
- The exception to this is when using Soundlogic products (laminate flooring with underlay laminated to the back). No other insulating underlay must be used in this case.

3. BEFORE THE INSTALLATION

Conditioning the boards

Before starting the installation, the packs of laminate flooring should be stored / acclimatised in the room where they are going to be installed or in a room with an equivalent climate. Acclimatisation takes place in the following conditions:

- The flooring is in its packaging
- It is stored / acclimatised for a period of at least 48 hours
- It is laid flat with a minimum of 50 cm distance from all walls
- The room temperature is at least 18° C
- The surface temperature of the floor is at least 15° C
- The relative atmospheric humidity is between 40 % and 70 %.

Direction of installation

Laminate flooring looks best when the panels are installed parallel to the light coming in through the windows. However, there are binding requirements for the direction of installation for sub-floors made of board flooring, or strip parquet / wooden floors on ships. In those cases, installation must be done at right angles to the boarding or the direction of the strip parquet / wooden floor.

Planning the first row

First, the room must be measured to determine whether the width of the first row should be reduced. This is always necessary if the last row being installed works out to be narrower than 5 cm.

Attention! The flooring elements (floor boards) must be cut lengthways from the tongue side (red inlay).

Planning expansion gaps

Tarkett laminate flooring are subject – like all organic materials – to a certain movement behaviour (shrinking / swelling) due to the changing indoor climatic conditions. Movement of the finished, installed floor is not affected if allowance is made with sufficiently dimensioned expansion joints to all fixed objects. Expansion gaps 8 to 10 mm wide should be left around all fixed objects such as walls, door frames, pipes, pillars, stairs etc.

Planning movement profiles

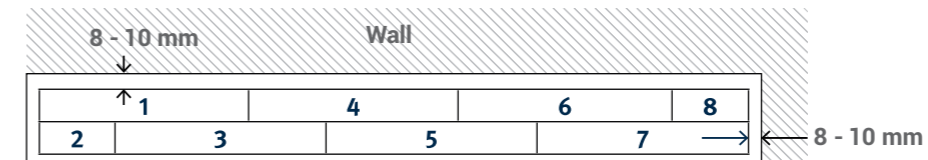
Due to the movement behaviour of laminate flooring, movement profiles must always be installed in the following applications and areas:

- Door thresholds
- Passageways
- Angled areas
- Room lengths and / or widths of more than 10 m

4. INSTALLATION

- Check the flooring boards for visible damage / defects. Determine which is the tongue and which is the groove (Fig. 1 / Fig. 2).
- Start installing the first two rows in the left-hand corner of the room, ensuring that both tongue sides of the first board face the wall and both groove sides face the fitter (Fig. 1 / Fig. 2).

The boards in the first two rows can be installed simultaneously, which means constantly alternating them whilst complying with the minimum offset of the end joints of 200 mm (**Attention!** In the case of Long format boards, a minimum offset of 500 mm applies, as shown and described below).



Board 1 = Lay in a left-hand corner of the room

Board 2 = Longitudinal angling of this shortened board. To do so, place the longitudinal tongue diagonally from above into the longitudinal groove of Board 1 and lower Board 2 until it is lying flat. (see Fig. 3)

Board 3 = Longitudinal angling & pressing in the short side. To begin with, return the longitudinal tongue at a slight angle from above into the longitudinal groove of Board 1. Now push Board 3 in this slanted position towards the front of Board 2, until the short sides of both elements push against each other and fits perfectly. Once again lock the longitudinal connection by lowering and at the same time the frontal connection by pushing until you can feel them snap into place. (see Fig. 4)

Board 4 = Longitudinal angling on the opposite side and pressing in the short side as before. Place the longitudinal groove at a slight angle under the longitudinal tongue of Board 3. Push Board 4 in this slanted position towards the front of Board 1, until the short sides of both boards push against each other and fit perfectly. Now once again lock the longitudinal connection by lowering and at the same time the frontal connection by pushing until you can feel them snap into place. (see Fig. 5)

Board 5 = Longitudinal angling and pressing on the short side (see Board 3).

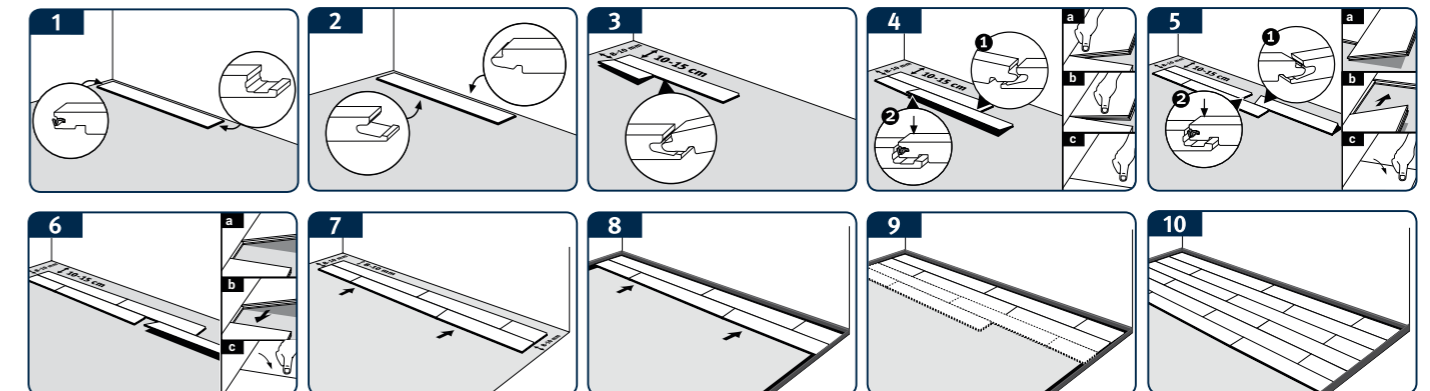
Board 6 = Longitudinal angling and pressing on the short side (see Board 4)

Board 7 = Longitudinal angling and pressing on the short side (see Board 3)

Board 8 = Longitudinal angling and pressing on the short side (see Board 4).

Install all remaining boards for the first and the second row as described above, and cut the last boards to fit (Fig. 6)

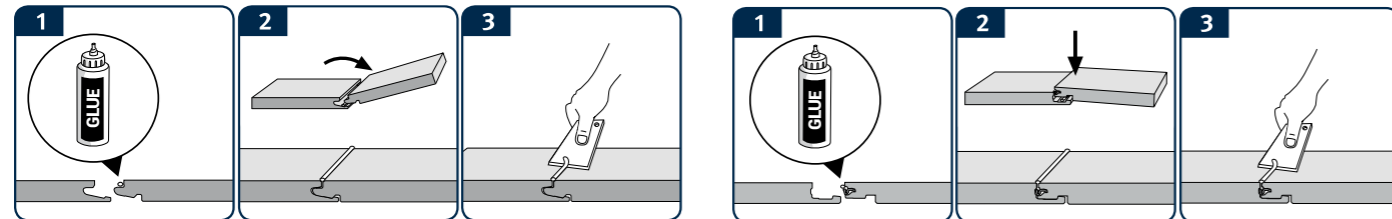
Finally, orientate the first two rows to face the walls, as required, check the wall distance (8-10 mm) from the wall and position the spacers. (Fig. 7 to Fig. 10).



Attention! Make sure that the short ends are staggered at least 200 mm (8"). Attention! When installing Long format floor boards, the short ends must be staggered by at least 500 mm.

- In the case of products supplied with a bevel and / or with a special pattern (e.g. tiles decor), ensure the offset is even according to the bevel and / or pattern.
- You install the first board of the third row by inserting the tongue on the long side into the groove on the long side of the second row diagonally from above. Then, lower the board until it is lying flat. To install the second board of the third row, once again tilt the long edge with the tongue down and slide it into the groove on the long side of the second row. With the board in this tilted position, now slide it towards the end of the first board in the third row until the frontal connection mechanisms are above each other so they fit perfectly. Once again, lock the long edge by lowering the board and the front by pushing until you can feel it lock.
- Install all remaining boards for the third row as described above, and cut the last board to fit.
- All the following rows can be started with the leftover piece of the previous row if this is at least 200 mm long or 500 mm for Long format floor boards.
- You can continue to install board after board now.

In order to prepare the last row of boards for installation, take the board and place it exactly on top of the row before last. By means of a residual board (board width), it is possible to transfer the wall structures to the board within a pre-chosen distance.

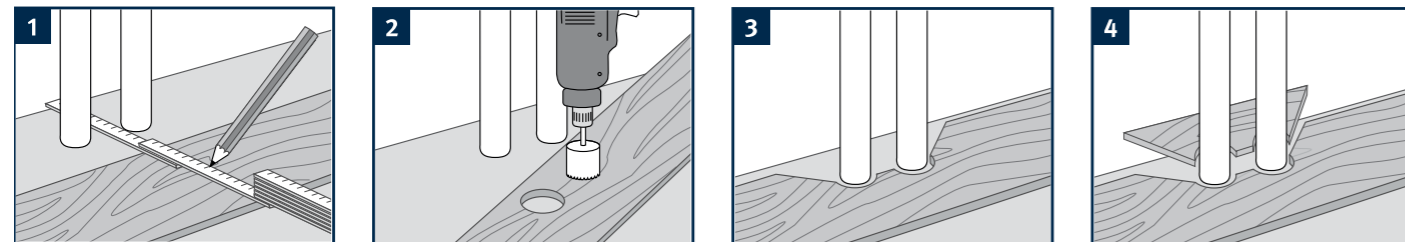


Commercial areas are exposed to various levels of moisture and because of this, additional sealing with PVAC glue (D3), is mandatory in such applications. The sealing glue should be applied on the long and short side of the tongue of the board being installed so that it can leak out along the full length of the connection at the top when the boards are joined together. Make sure that there is no gap in the flooring joints under the glue which has oozed out. Excess sealing glue is easy to remove from the surface immediately or after a short drying period.

(Attention! Due to the profile geometry, a proportionate amount of glue is to be applied, particularly on the short side.)

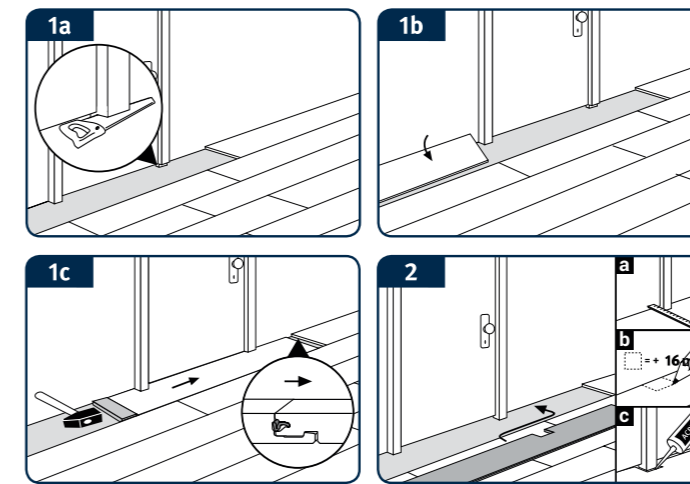
Built-in kitchens / built-in cabinets

It is recommended to assemble built-in kitchens and cabinets before installation and to install the laminate flooring, to just behind the plinth panel.



- Measure the position of the pipes and mark it on the panel (allow for edge joint).
- Drill at least 16 mm more than the diameter of the pipe.
- Saw the holes at a 45° angle.
- Fit and glue the sawn piece.

Door frames



- If there are wooden door frames, it is recommended to shorten these by the installation height (flooring plus underlay materials) in consultation with the customer. (Fig. 1a)
- Then install laminate flooring, under the frame with an appropriate expansion joint. In case the installation takes you to a door frame, the respective board can be angled longitudinally and lowered. Subsequently, the element placed flat on the floor is pushed under the door frame and the frontal connection is locked through horizontal knocking with a hammer and tapping block. (Fig. 1b + 1c)
- On door frames that cannot be shortened, e.g. made of metal, the fitted expansion joint must be sealed or covered with an elastic jointing material or suitable end profiles. (Fig. 2)

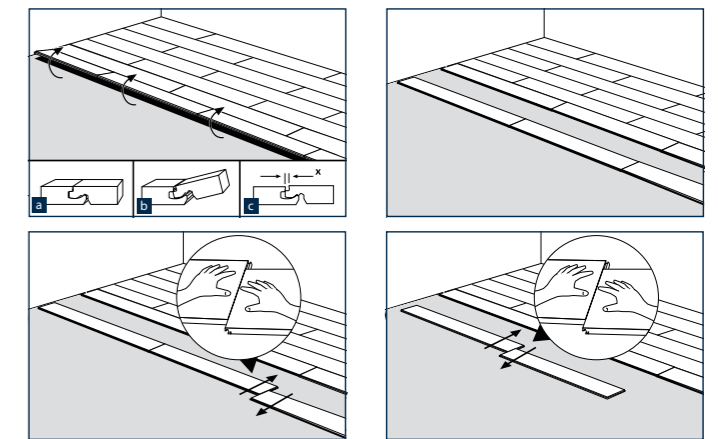
Flooring profiles and skirting boards

After finishing the professional installation of the laminate flooring, both the necessary flooring profiles and skirting boards are fitted. Simple assembly instructions are enclosed with all the accessories.

Attention! With most types of profile, it is necessary to fit the base (sub-profile) to take the cover profile before installing Tarkett laminate flooring.

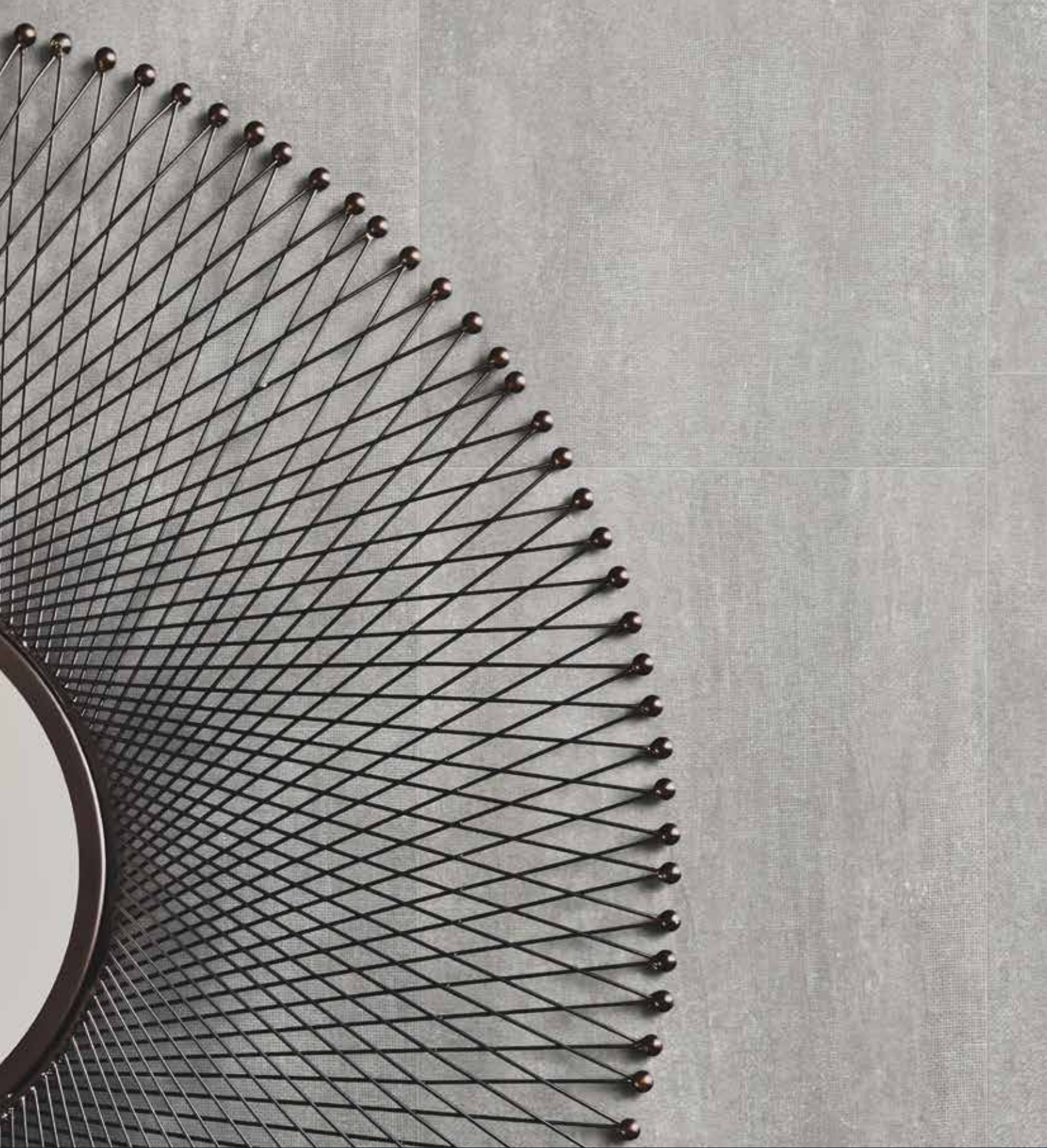
Removal / Dismantling of boards

To replace boards already installed without damaging them, you must firstly loosen the entire row on the long side from the locking mechanism by bending it and then pushing the boards parallel against each other on the short side whilst they are flat on the ground. Proceed with due care in order to avoid damaging the tongue and groove.



5. CLEANING AND MAINTENANCE

- Entrance areas are to be equipped with a reasonably sized dirt-trapping zone / mat.
- For commercial applications where the flooring area directly adjoins the outdoor area, a recessed and reasonably sized dirttrapping zone is to be fitted in the flooring design.
- Attach felt pads to the feet of furniture, including chairs and tables. Clean these regularly, check for proper functionality, and replace if required.
- Lift furniture when moving, rather than pushing or dragging.
- On office chairs and all other furnishings on rollers, soft castors (type W) are to be used. The office chair and furniture rollers are to be cleaned at regular intervals, tested for functionality and replaced if necessary.
- Remove any moisture / wetness resting on the laminate flooring immediately.
- Steam cleaners should not be used.
- Only clean laminate flooring with a damp cloth.
- Never use scouring or abrasive materials on laminate flooring.
- Do not use cleaning products that may leave a residue.
- Waxing and / or polishing is neither necessary nor permitted.
- Subsequent sealing of the surface on laminate flooring is not necessary and must not be done.
- Use the hard floor nozzle (brush accessory) when vacuum cleaning.



■ **WESTERN EUROPE:** Austria: Tarkett Holding GmbH, Niederlassung Wien – Tel. +43 1 47 88 062 ■ Belgium: Tarkett Belux N.V. – Tel. +32 52 26 24 11 ■ Denmark: Tarkett A/S – Tel. +45 43 90 60 11 ■ Finland: Tarkett Oy – Tel. +358 9 4257 9000 ■ France: Tarkett SAS – Tel. +33 1 41 20 42 49 ■ Germany: Tarkett Holding GmbH – Tel. +49 62 33 810 ■ Greece: Tarkett Monoprosopi Ltd – Tel. +30 210 6745 340 ■ Italy: Tarkett S.p.A. – Tel. +39 0744 7551 ■ Luxembourg: Tarkett Belux N.V. – Tel. +32 52 26 24 11 ■ Netherlands: Tarkett BV – Tel. +31 416 685 491 ■ Norway: Tarkett AS – Tel. +47 32 20 92 00 ■ Portugal: Tarkett SA – Tel. +351 21 427 64 20 ■ Spain: Tarkett Floors S.L. – Tel. +34 91 358 00 35 ■ Sweden: Tarkett Sverige AB – Tel. +46 771 25 19 00 ■ Switzerland: Tarkett Holding GmbH – Tel. +41 043 233 79 24 ■ Turkey: Tarkett Aspen – Tel. +90 212 213 65 80 ■ United Kingdom: Tarkett Ltd – Tel. +44 (0) 1622 854 040 ■ **EASTERN EUROPE:** Baltic Countries: Tarkett Baltics – Tel. +370 37 262 220 ■ Czech Republic: Tarkett org. složka – Tel. +420 271 001 600 ■ Hungary: Tarkett Polska SP Z.O.O. magyarországi fióktelepe – Tel. +36 1 437 8150 ■ Poland: Tarkett Polska Sp. z o. o. – Tel. +48 22 16 09 231 ■ Russian Federation: ZAO Tarkett RUS – Tel. +7 495 775 3737 ■ Slovakia: Tarkett Polska, organizačná zložka – Tel. +421 2 48291 317 ■ **South East Europe:** Tarkett SEE – Tel. +381 21 7557 649 (44) 569 12 21 ■ Ukraine: Tarkett UA – Tel. +38 (0) 44 35 45 621 ■ **ASIA AND OCEANIA:** Australia: Tarkett Australia Pty Ltd – Tel. +61 2 88 53 12 00 ■ China: Tarkett Floor Covering (Shanghai) Co. Ltd. – Tel. +86 (21) 60 95 68 38 ext 841 ■ **North East Asia:** Tarkett Hong Kong Limited – Tel. +852 2511 8716 ■ India: Tarkett Flooring India Pvt. Ltd. – Bangalore – Tel. +91 80 4130 3793 – New Delhi – Tel. +91 11 4352 4073 – Mumbai – Tel. +91 22 2648 8750 ■ **South East Asia:** Tarkett Flooring Singapore Pte. Ltd. – Tel. +65 6346 1585 ■ **AFRICA:** Tarkett International: Tel. +33 1 41 20 41 01 ■ **MIDDLE EAST:** Tarkett Middle East: Tel. +961 1 51 3363/4 ■ Israel: Tarkett International: Tel. +33 1 41 20 41 01 ■ **NORTH AMERICA:** USA: Tarkett Inc. – Tel. +1 713 869 5811 / Johnsonite – Tel. +1 440 543 8916 ■ Canada: Tarkett Inc. – Tel. +1 450 293 173 ■ **LATIN AMERICA:** Brazil: Tarkett – Tel. 55 12 3954 7108 ■ Argentina - Chile - Uruguay: Tarkett Latam Mercosur – Tel. +54 11 47 08 07 72 / +54 911 44 46 88 82 ■ Bolivia - Colombia - Ecuador - Panama - Paraguay - Peru - Trinidad and Tobago - Venezuela: Tarkett – Tel. +55 11 9 8410 9310 / +55 11 9 5494 0069 ■ Mexico / Central America: Tarkett Latam Mexico – Tel. +55 11 98410 9310

09-2019

Due to evolution of standards, characteristics indicated in the text and images in this document are not binding only after confirmation by our departments.
Design: Agence Gecko / Print: Altavia

