

GRABO VAPOREX

damp-proof underlay floor

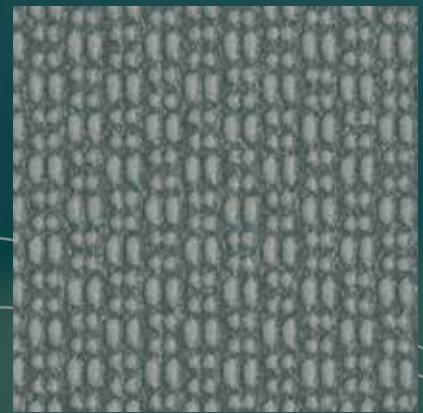
VAPOREX



VAPOREX T



VAPOREX 40



Grabo Vaporex sheet underlays specially coated and patterned, reinforced with fiberglass enable the safe installation of floor coverings on slightly moist or contaminated subfloors. Additionally Vaporex 40 has excellent sound insulating property.

Grabo Vaporex materials

- provide a continuous base which is stabilized and resistant to damp
- reduce normal subfloor drying time
- allow that a new temporary floor to be laid over an existing floor

Grabo Vaporex should NOT be used :

- on areas that are subjected heavy wheeled traffic
- on ground floor timber-bases that are not adequately ventilated
- on subfloors that are subjected hydrostatic pressure
- on magnesite subfloor

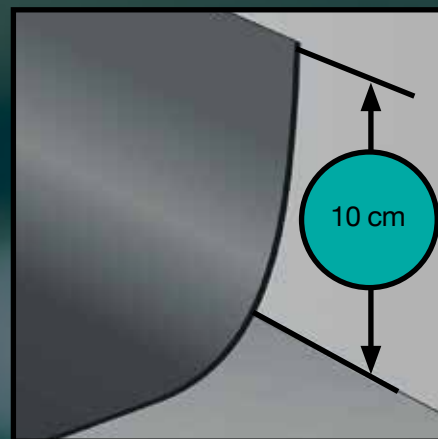
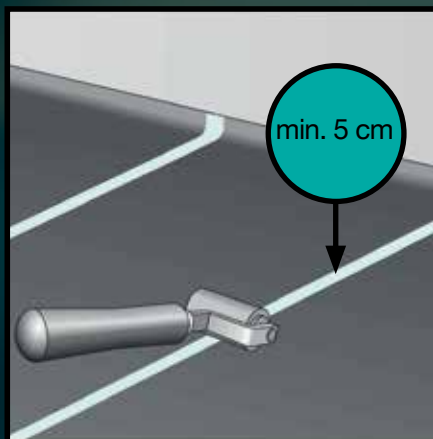
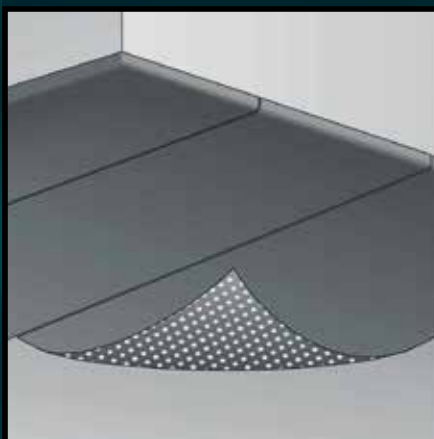
Typical areas where Grabo Vaporex can be used:

- on screed concrete bases where construction moisture has not dried out (max. 5CM % moisture content)
- on old subfloors which do not contain a proper damp proof membrane
- over old, soundly fixed floorings when a temporary covering is used without adhesive
- especially recommended under GraboSport vinyl floorings, Grabo sport parquet systems and Grabo contract floorings

GRABO VAPOREX

damp-proof underlay floor

Properties			Vaporex	Vaporex T	Vaporex 40
width	cm	EN ISO 24341	145	200	145
standard roll length	m	EN ISO 24341	20	35	25
thickness	mm	EN ISO 24346	1,4	1,3	4
weight	g/m ²	EN ISO 23997	1600	1000	1800
dimensional stability L/C	%, +/-,max.	EN ISO 23999	0,2	0,2	0,2
flame resistance	class	EN 13501-1	Bfls1	Bfls1	Bfls1
PCP content		EN 12673	0	0	0
formaldehyde emission		ENV 717-1	E1	E1	E1
vapour diffusion current density	kg/m ² xs	EN 1931	1,4x10 ⁻⁸		
vapour permeability factor		EN 1931	6,6x10 ⁻¹²		
watertightness	15kPa 72h	EN 1928			watertight
water absorption	Cobb60,g/m ²	ISO 535			2,2/0,5
impact sound transmission	IIC	ASTME 989-06., 492-09			60
moisture tolerance	RH%	on cement estrich	97	97	97
moisture tolerance	CM%	on cement estrich	5,0	5,0	5,0



GRABOPLAST

