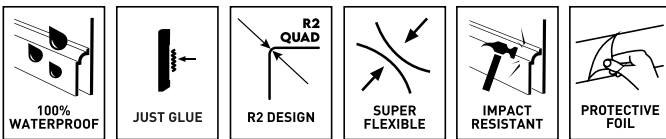
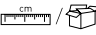




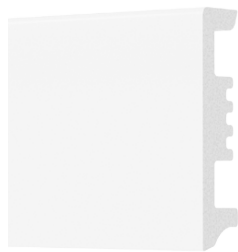
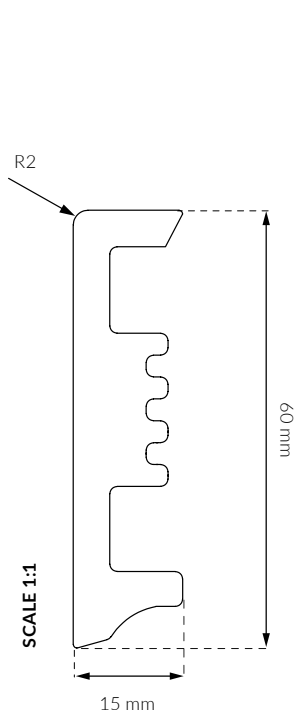
STIQ XL


NEW

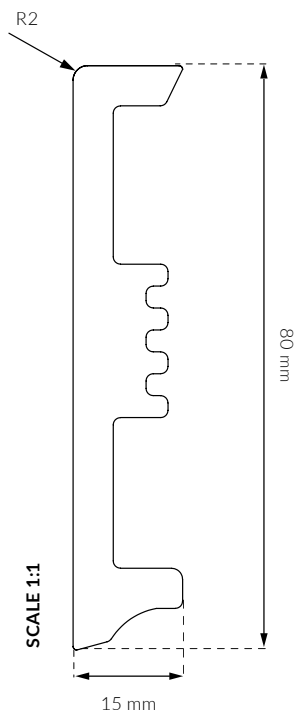



- WATERPROOF
- R2 DESIGN
- JUST GLUE
- SUPER FLEXIBLE
- IMPACT RESISTANT
- HOMOGENEOUS MATERIAL (100% PVC FREE)
- NO PAINTS AND LACQUERS
- VOC FREE
- PERFECT FOR RECYCLING

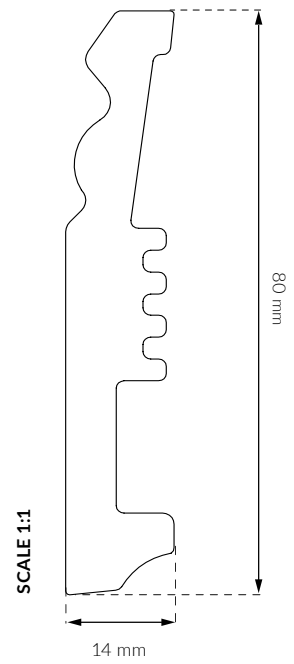
	SKIRTING	STRONGMAN GLUE	ACRYLIC
 220 cm	220 cm	-	-
	-	1 pc	1 pc
	44 m	12 pcs	12 pcs
EAN		5905167788264	5907584890193




White
 STX610 | 5905167839874
 | 44 m



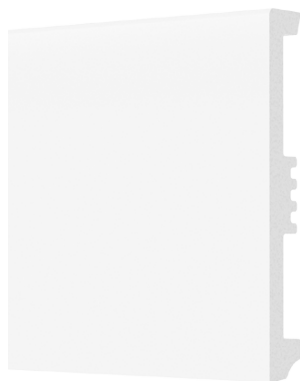
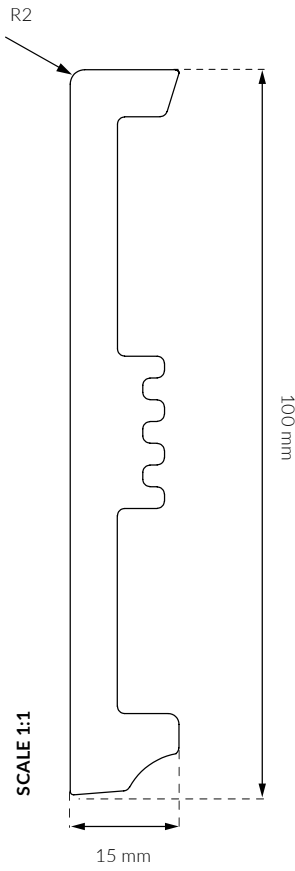
White
 STX810 | 5905167839881
 | 44 m




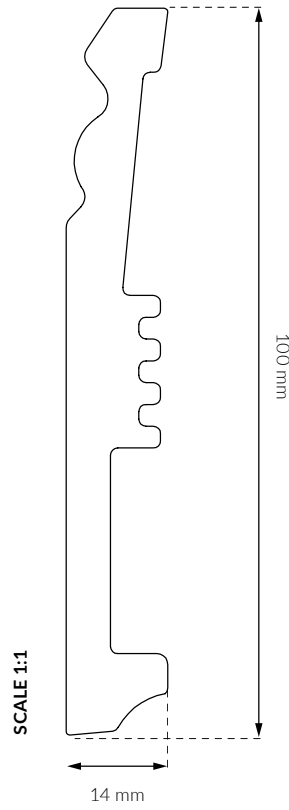
White
 STX820 | 5905167839898
 | 44 m



PROTECTIVE FOIL
 Protective foil removable
 after renovation



White
 STX110 | 5905167839904
 44 m



White
 STX120 | 5905167839911
 44 m



PROTECTIVE FOIL
 Protective foil
 removable
 after renovation

